

If your security solution doesn't increase sales, you need One that does.



We've redesigned PODs from the inside out, and the result is a new product platform that elevates the customer experience, improves operational efficiency and has a consistent look across all

stands. And with advanced data and analytics, OnePOD™ enables you to maximize every sales opportunity, at every store, and every display — every day. That's the Power of OnePOD.



Don't let thieves design your customer experience.

ONE DESIGN

For consistent storewide visual merchandising.

ONE EXPERIENCE

Delivering an inviting and meaningful customer experience even in a high security environment.

Enabling you to engage customers with high value accessory cross-merchandising.

ONE PLATFORM

One common platform that allows you to control where and how much security is needed.

ONE KEY

InVue's exclusive IR Key™ provides you a storewide single key solution that elevates the in-store experience to improve your profits.

OnePOD SAVES TIME & MONEY

On installation, remerchandising, maintaining your planogram and nightly removal:

- › Reduces installation time
- › Reduces remerchandising time
- › Reduces cost of maintaining planogram compliance
- › Reduces time to perform nightly removal and lock up

OnePOD REDUCES THEFT

Scalable solutions allow you to minimize theft during store hours and after:

- › Easier lock down mechanism
- › Faster nightly removal
- › Robust high security construction
- › New high security arms

OnePOD PROVIDES INSIGHTFUL ANALYTICS

Software applications enabling you to understand how consumers interact with display merchandise:

- › Insight: know what's on display and gain valuable shopper insight
- › MicroSigns: on device app for cloud-based pricing and content management
- › Access Manager: control internal theft



OnePOD™ at a glance:

FEATURES AND BENEFITS

- › Cross-platform compatibility
- › Minimal design aesthetic allows merchandise to be the hero
- › Elevated customer experience
- › Internal audit



	One55	One65	One60	One90	One90QR	One40
Internal Recoiler	✓	✓	✓			✓
Lift Length	32 inches	32 inches	15 inches	N/A	N/A	32 inches
Non Alarming/ Mechanical Security				✓	✓	✓
Standard Security	✓	✓	✓			✓
Enhanced Security		✓	✓			
High Security			✓	✓	✓	
Cross-Merchandising Port		✓				
Data Analytics		✓	✓			
Quick Release	✓	✓	✓		✓	✓
Split-Level Recoiler Option	✓	✓	✓			✓
Brackets	Optional	Optional	Recommended	Required	Required	Required



One55

FEATURES AND BENEFITS

- 1** All above counter recoiler features standard cable with 32" pull length
- 2** Enhanced steel cable with 15" lift option
- 3** Alarm-on-merchandise with 95 dB alarm
- 4** Quick release sensor with InVue key
- 5** Removable, locking power connectors
- 6** 360 degree lockdown for added security
- 7** Optional unibody steel security arms (2 or 4)
- 8** USB-A power interface with contact charging pins (5V, 2.5A)
- 9** Connected stand (optional) supports CCTV interface
- 10** Access Manager and MicroSigns compatibility
- 11** Split level recoilers with small form factor puck are options for One55 (not shown)



One65

FEATURES AND BENEFITS

- 1** All above counter recoiler features standard cable with 32" pull length
- 2** Enhanced steel cable with 15" lift option
- 3** Dual 95 dB alarm
- 4** Quick release sensor with InVue key
- 5** Removable, locking power connectors
- 6** 360 degree lockdown for added security
- 7** Powered auxilliary port for accessories
- 8** Optional unibody steel security arms (2 or 4)
- 9** PS531 standard 3A power supply (optional PS535 PD power supply)
- 10** InVue advanced software suite compatibility
- 11** Split level recoilers with small form factor puck are options for One65 (not shown)



One60

FEATURES AND BENEFITS

- 1** Undefeatable mechanical security with steel skeleton and sensor
- 2** Dual 95 dB alarm
- 3** Quick release sensor with InVue key
- 4** Removable, locking power connector
- 5** All above counter recoiler with enhanced steel cable and 15" pull length — visible steel cable resists 150 lbs pull force and 200 lbs cut force
- 6** 360 degree swivel or lockdown with >350 lbs pull force
- 7** 4-way unibody steel security arms
- 8** 5V/2.5A USB A PS for OEM charger compatibly
- 9** InVue 3A USB PS535 PD option (data stand option required)
- 10** InVue Advanced Software Suite compatibility (data stand option required)
- 11** Split level recoilers with small form factor puck are options for One60 (not shown)



One90 / One90QR

FEATURES AND BENEFITS

- 1 Undefeatable mechanical security
- 2 Solid steel construction
- 3 Quick release at sensor for nightly removal with IR key (One90QR only)
- 4 90 degree portrait landscape rotation; full time lockdown with 400 lbs resistance
- 5 4-way unibody steel security arms
- 6 90 degree portrait/landscape rotation
- 7 OEM feed through power
- 8 Access Manager compatible (One90QR only)



One40

FEATURES AND BENEFITS

- 1 Non-alarming sensor and stand
- 2 USB-A power interface with contact charging pins (5V, 2.5A)
- 3 Unibody steel security arms (2 or 4)
- 4 Split level recoiler with standard or high security cable
- 5 360 degree lockdown for added security
- 6 Removable locking power connectors
- 7 Low profile angled puck or low profile flat stand



IR ECOSYSTEM™

OnePOD™ is part of the exclusive InVue IR Ecosystem™, a storewide single key solution that improves customer service, increases sales and provides high theft protection.

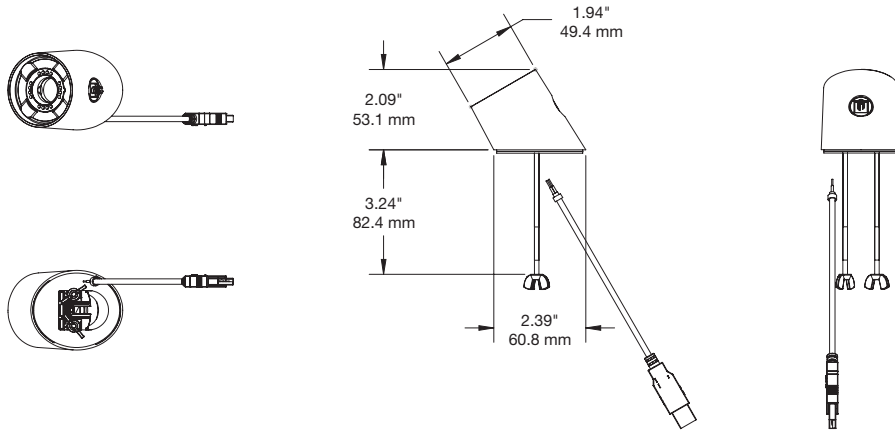


IR ECOSYSTEM

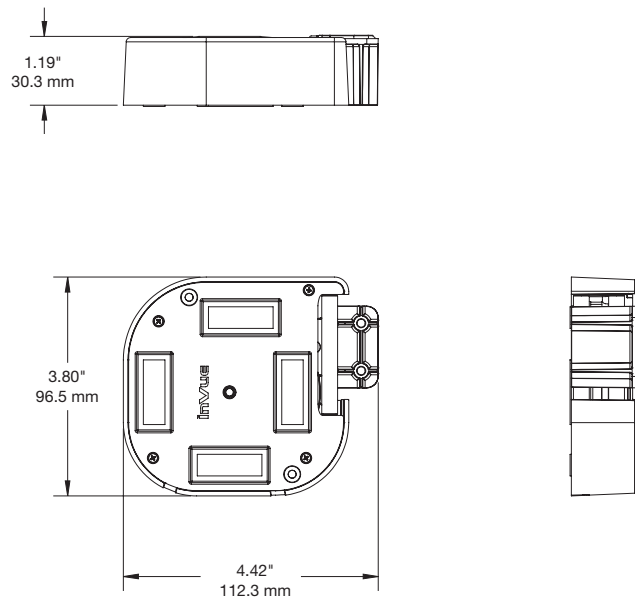


SPECIFICATIONS

One40 Angled Puck (DBD140):

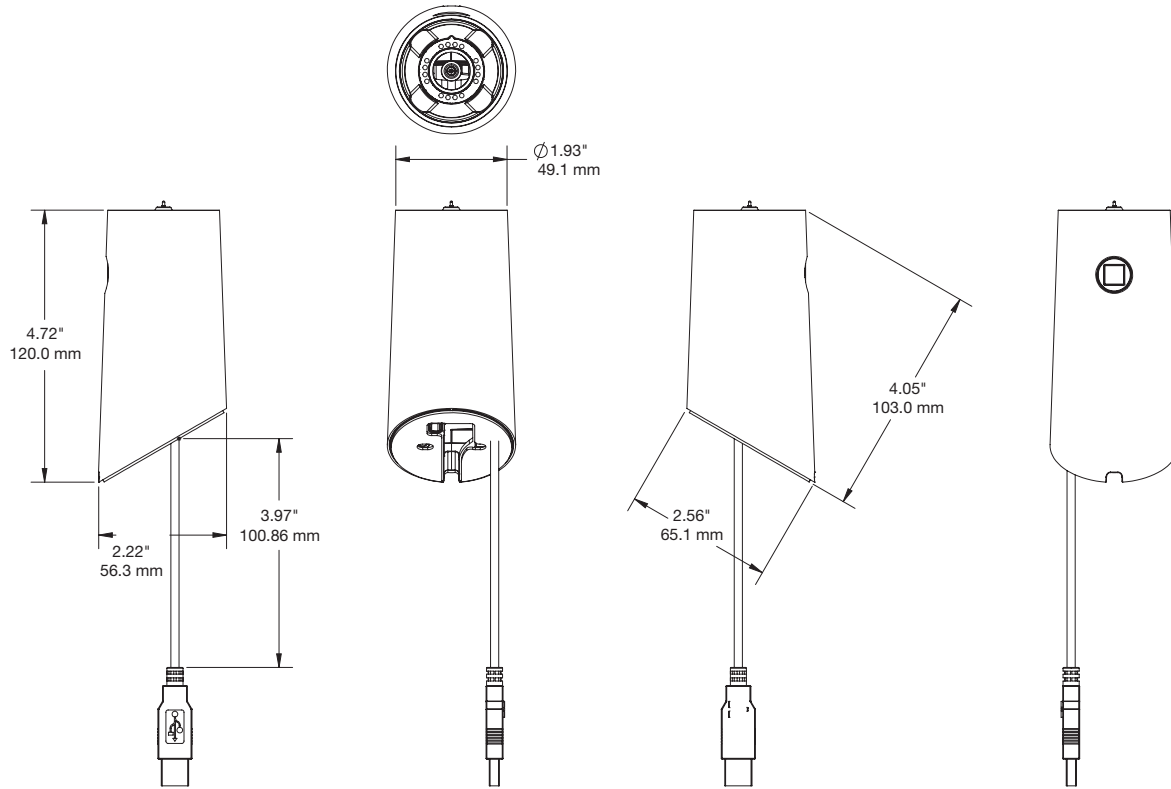


OnePOD Non Connected Recoiler Standard Cable (DBD300):



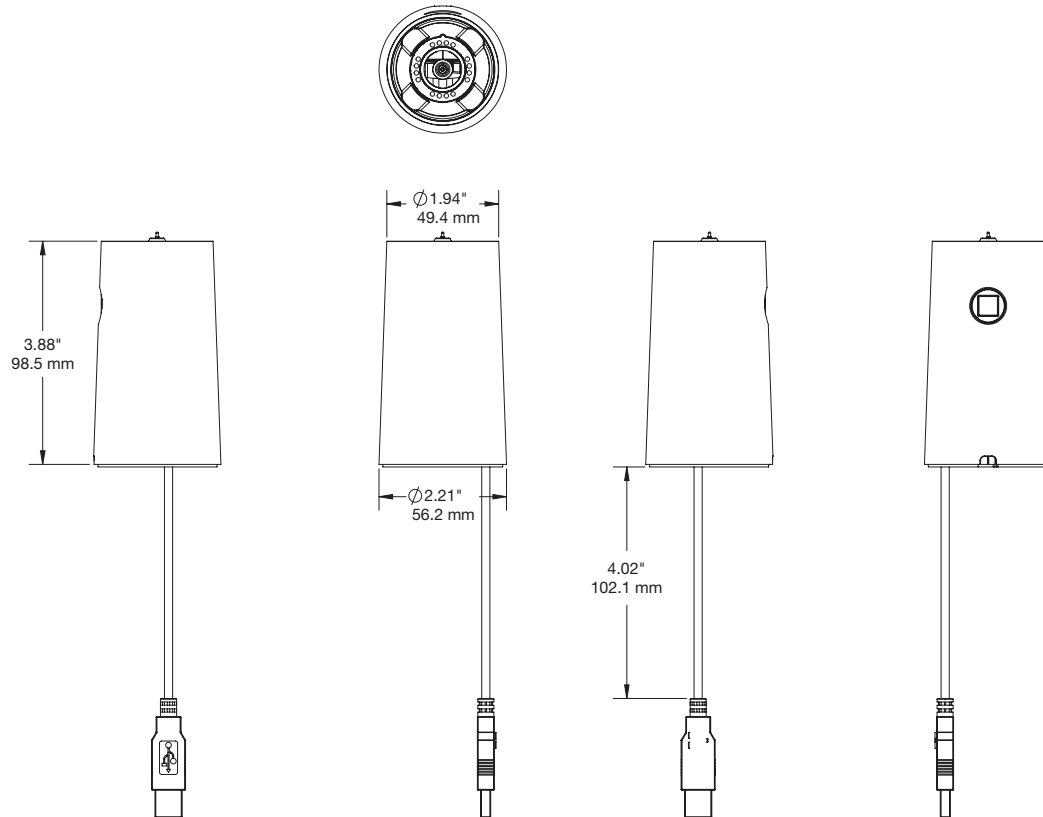
SPECIFICATIONS

One55/One65/One60 Angled Standard Security Basic Stand (DBD100; DBD120; DBD160):



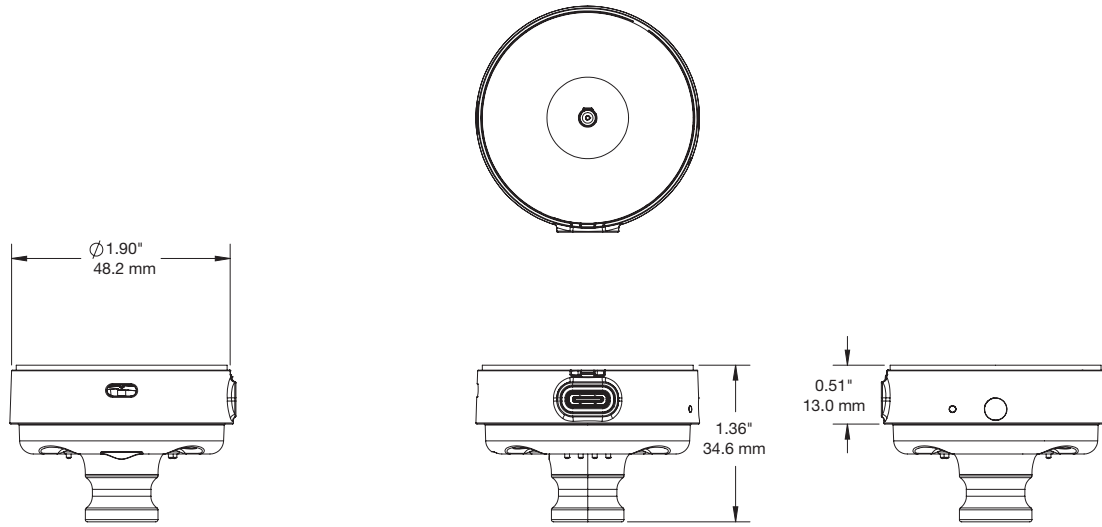
SPECIFICATIONS

One55/One65/One60 Flat Standard Security Basic Stand (DBD106; DBD126; DBD166):



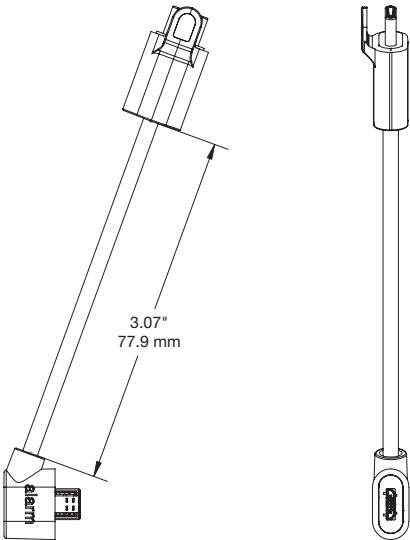
SPECIFICATIONS

One55/One65 Alarming Sensor (DBD200):

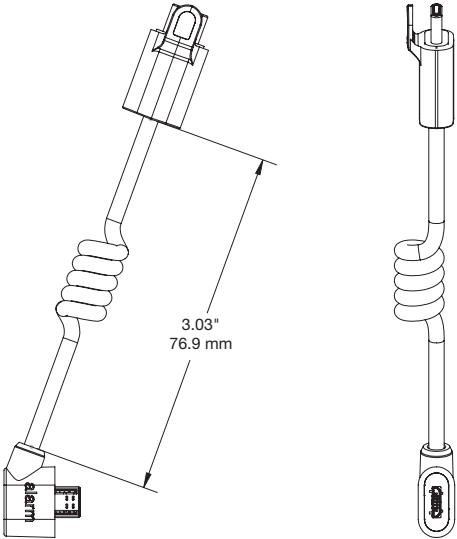


SPECIFICATIONS

One55/One65/One60 HH USB Micro Power Connector (DBH500):

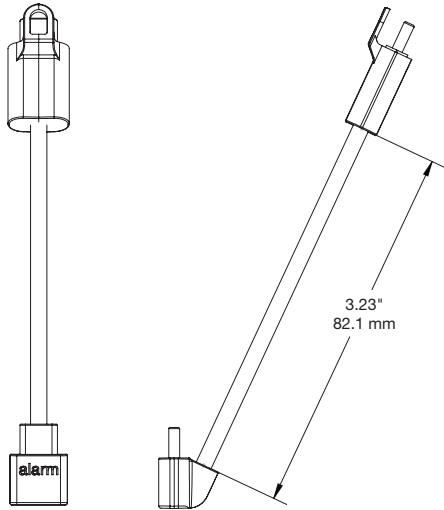


One55/One65/One60 Tablet USB Micro Power Connector (DBT500):

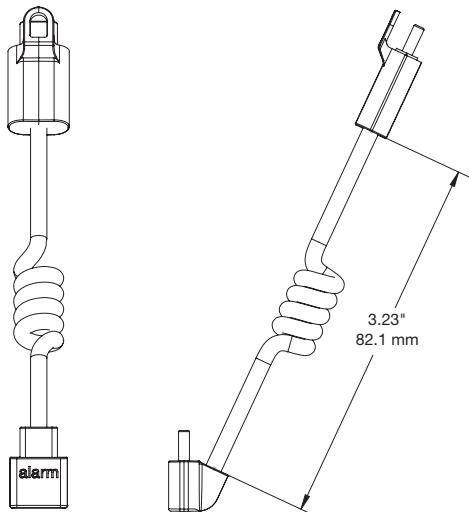


SPECIFICATIONS

One55/One65/One60 HH USB Type C Power Connector (DBH501):

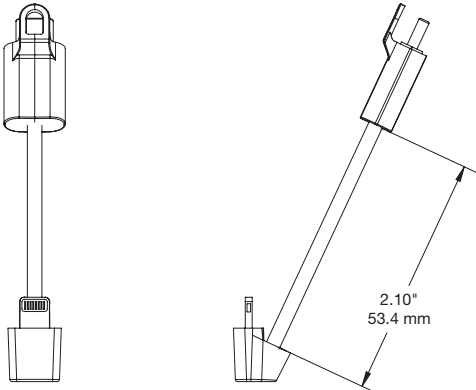


One55/One65/One60 Tablet USB Type C Power Connector (DBT501):

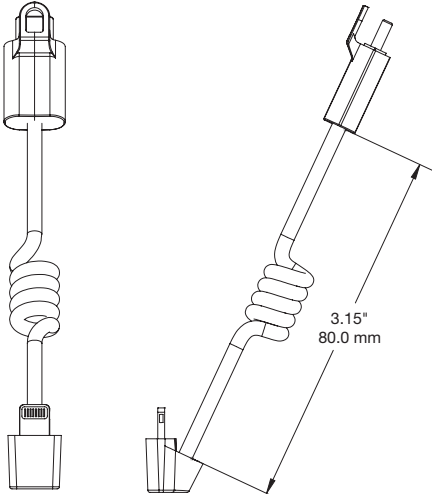


SPECIFICATIONS

One55/One65/One60 HH Lightning Power Connector (DBH502):

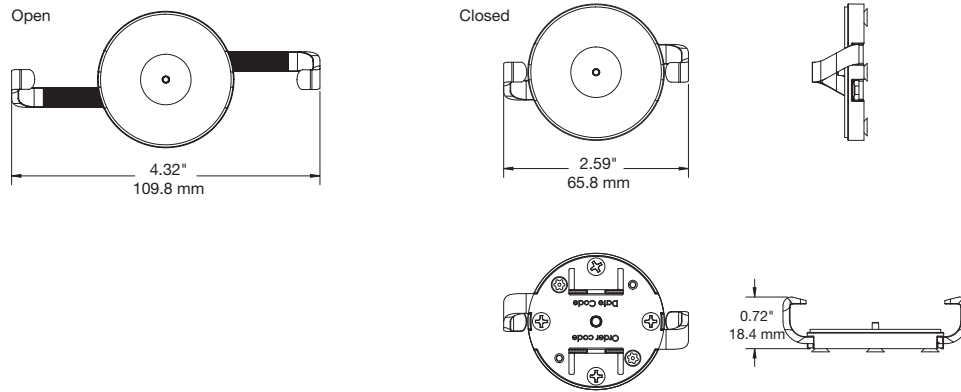


One55/One65/One60 Tablet Lightning PowerConnector (DBT502):

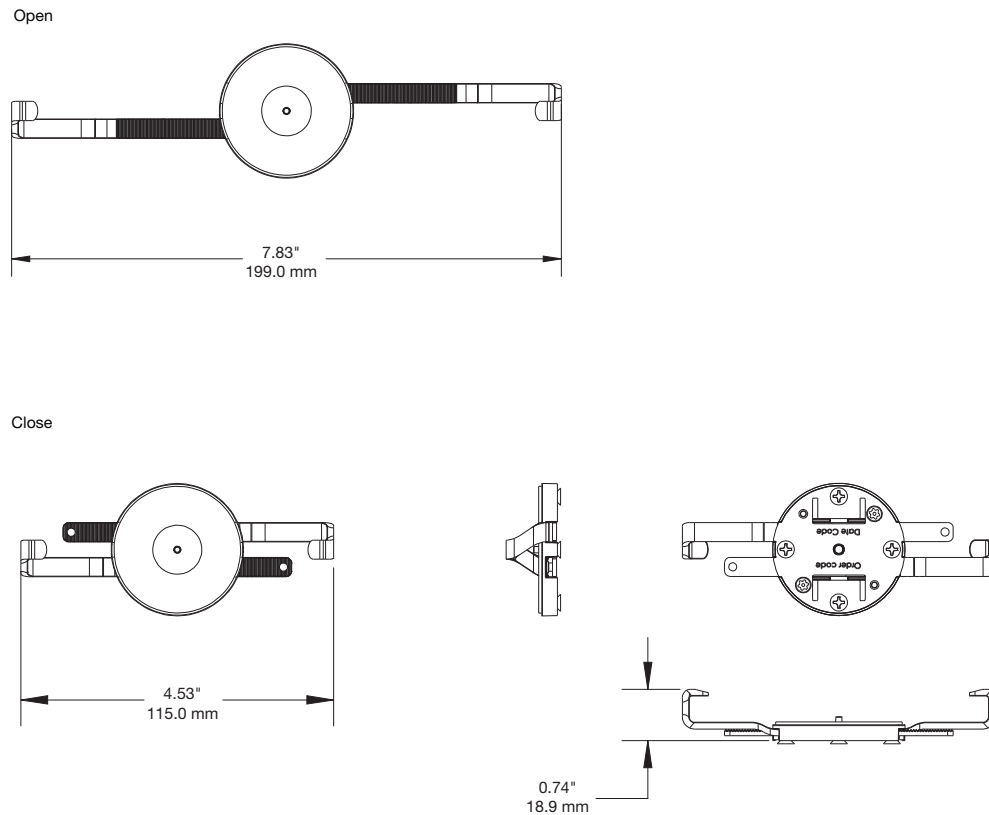


SPECIFICATIONS

One55/One65/One60 2 Arm Bracket Plate with HH brackets (DBH282):

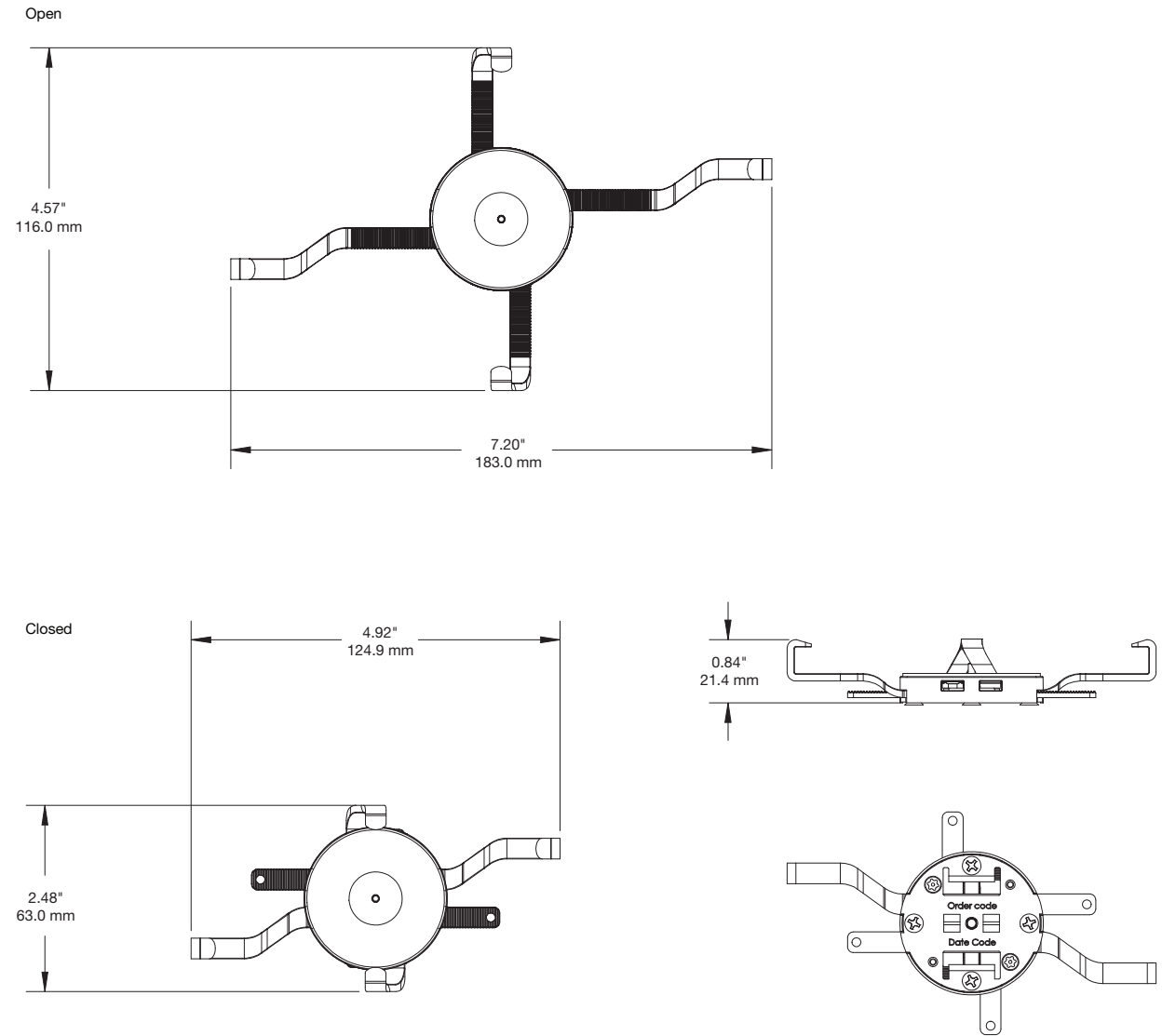


One55/One65/One60 2 Arm Bracket Plate with tablet brackets (DBT282):



SPECIFICATIONS

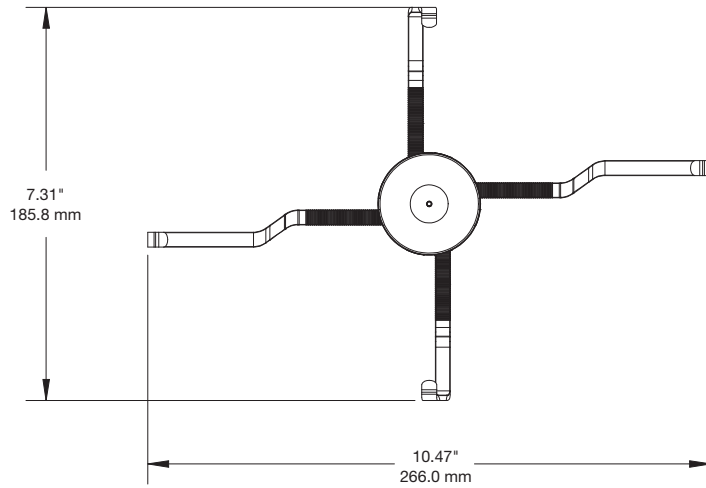
One55/One65/One60 4 Arm Bracket Plate with HH brackets (DBH284):



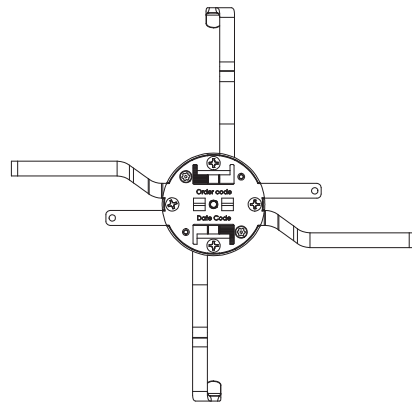
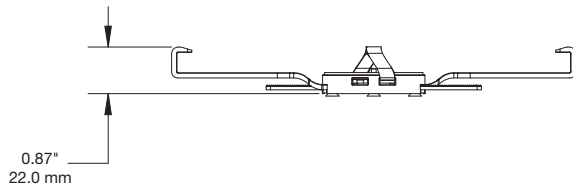
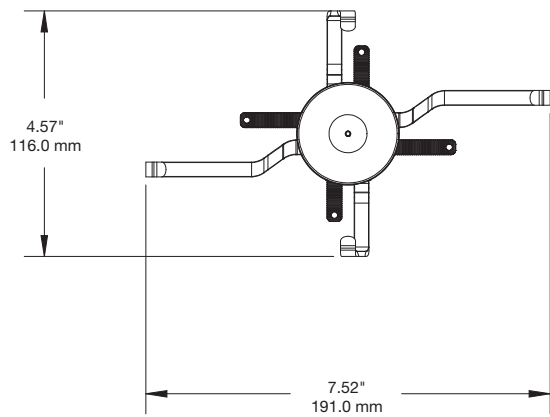
SPECIFICATIONS

One55/One65/One60 4 Arm Bracket Plate with tablet brackets (DBT284):

Open



Closed



PRODUCT ORDERING

ORDER CODE	DESCRIPTION	NOTES	INVENTORY STATUS
One40			
DBD140-W DBD140-B	One40 Angled Puck - White One40 Angled Puck - Black		Core Market Planning
DBD141-W DBD141-B	One40 Flat Puck - White One40 Flat Puck - Black		Market Planning Market Planning
DBD205-W DBD205-B	One40 Non Alarming Sensor - White One40 Non Alarming Sensor - Black		Core Market Planning
DBD300	OnePOD Basic Recoiler Standard Cable		Core
DBD305	OnePOD Basic Recoiler High Security Cable		Market Planning
One55			
Stands			
DBD100-W† DBD100-B DBD100-S	One55 Angled Standard Security Basic Stand - White One55 Angled Standard Security Basic Stand - Black One55 Angled Standard Security Basic Stand - Silver		Core Market Planning Market Planning
DBD106-W DBD106-B	One55 Flat Standard Security Basic Stand - White One55 Flat Standard Security Basic Stand - Black		Market Planning Market Planning
DBD101-W DBD101-B	One55 Angled Enhanced Security Basic Stand - White One55 Angled Enhanced Security Basic Stand - Black		Market Planning Market Planning
DBD107-W DBD107-B	One55 Flat Enhanced Security Basic Stand - White One55 Flat Enhanced Security Basic Stand - Black		Market Planning Market Planning
DBD102-W DBD102-B	One55 Angled Standard Security Data Stand - White One55 Angled Standard Security Data Stand - Black		Market Planning Market Planning
DBD108-W DBD108-B	One55 Flat Standard Security Data Stand - White One55 Flat Standard Security Data Stand - Black		Market Planning Market Planning
DBD103-W DBD103-B	One55 Angled Enhanced Security Data Stand - White One55 Angled Enhanced Security Data Stand - Black		Market Planning Market Planning
DBD109-W DBD109-B	One55 Flat Enhanced Security Data Stand - White One55 Flat Enhanced Security Data Stand - Black		Market Planning Market Planning
Sensors			
DBD200-W† DBD200-B	One55/One65 Alarming Sensor - White One55/One65 Alarming Sensor - Black		Core Market Planning
DBD209-W DBD209-B	One55 Display Only Sensor - White One55 Display Only Sensor - Black		Core Market Planning

*Market Planning designates that parts will be available with validated opportunity and standard lead-time

† Standard sensor should be ordered as kit: DBD800W



PRODUCT ORDERING

ORDER CODE	DESCRIPTION	NOTES	INVENTORY STATUS
One55			
Stand/Sensor Kits			
DBD800-W DBD800-B	One55 Angled Standard Security Basic Stand with Sensor - White One55 Angled Standard Security Basic Stand with Sensor - Black		Core Market Planning
DBD801-W DBD801-B	One55 Angled Enhanced Security Basic Stand with Sensor - White One55 Angled Enhanced Security Basic Stand with Sensor - Black		Market Planning Market Planning
DBD810-W DBD810-B	One55 Angled Standard Security Basic Stand with Display Only Sensor - White One55 Angled Standard Security Basic Stand with Display Only Sensor - Black		Core Market Planning
DBD806-W DBD806-B	One55 Flat Standard Security Basic Stand with Sensor - White One55 Flat Standard Security Basic Stand with Sensor - Black		Market Planning Market Planning
DBD807-W DBD807-B	One55 Flat Enhanced Security Basic Stand with Sensor - White One55 Flat Enhanced Security Basic Stand with Sensor - Black		Market Planning Market Planning
DBD816-W DBD816-B	One55 Flat Standard Security Basic Stand with Display Only Sensor - White One55 Flat Standard Security Basic Stand with Display Only Sensor - Black		Market Planning Market Planning
DBD802-W DBD802-B	One55 Angled Standard Security Data Stand with Sensor - White One55 Angled Standard Security Data Stand with Sensor - Black		Market Planning Market Planning
DBD803-W DBD803-B	One55 Angled Enhanced Security Data Stand with Sensor - White One55 Angled Enhanced Security Data Stand with Sensor - Black		Market Planning Market Planning
DBD808-W DBD808-B	One55 Flat Standard Security Data Stand with Sensor - White One55 Flat Standard Security Data Stand with Sensor - Black		Market Planning Market Planning
DBD809-W DBD809-B	One55 Flat Enhanced Security Data Stand with Sensor - White One55 Flat Enhanced Security Data Stand with Sensor - Black		Market Planning Market Planning
Power Connectors			
DBH500-W DBH500-B	One55/One65/One60 HH USB Micro Pwr Connector - White One55/One65/One60 HH USB Micro Pwr Connector - Black	› 4 pack	Core Market Planning
DBT500-W DBT500-B	One55/One65/One60 Tablet USB Micro Pwr Connector - White One55/One65/One60 Tablet USB Micro Pwr Connector - Black	› 4 pack	Core Market Planning
DBH501-W DBH501-B	One55/One65/One60 HH USB Type C Pwr Connector - White One55/One65/One60 HH USB Type C Pwr Connector - Black	› 4 pack	Core Market Planning
DBT501-W DBT501-B	One55/One65/One60 Tablet USB Type C Pwr Connector - White One55/One65/One60 Tablet USB Type C Pwr Connector - Black	› 4 pack	Core Market Planning
DBH502-W DBH502-B	One55/One65/One60 HH Lightning Pwr Connector - White One55/One65/One60 HH Lightning Pwr Connector - Black	› 4 pack	Core Market Planning
DBT502-W DBT502-B	One55/One65/One60 Tablet Lightning Pwr Connector - White One55/One65/One60 Tablet Lightning Pwr Connector - Black	› 4 pack	Core Market Planning

* Market Planning designates that parts will be available with validated opportunity and standard lead-time



PRODUCT ORDERING

ORDER CODE	DESCRIPTION	NOTES	INVENTORY STATUS
One55			
Brackets			
DBH282-W DBH282-B	One55/One65/One60 2 Arm Bracket Plate - White (Black HH brackets) One55/One65/One60 2 Arm Bracket Plate - Black (Black HH brackets)		Core Market Planning
DBT282-W DBT282-B	One55/One65/One60 2 Arm Bracket Plate - White (Black tablet brackets) One55/One65/One60 2 Arm Bracket Plate - Black (Black tablet brackets)		Core Market Planning
DBH284-W DBH284-B	One55/One65/One60 4 Arm Bracket Plate - White (Black HH brackets) One55/One65/One60 4 Arm Bracket Plate - Black (Black HH brackets)		Core Market Planning
DBT284-W DBT284-B	One55/One65/One60 4 Arm Bracket Plate - White (Black tablet brackets) One55/One65/One60 4 Arm Bracket Plate - Black (Black tablet brackets)		Core Market Planning
Accessories			
DBG400	One55/One65/One60 Magnetic Tool	› 4 pack	Core
DQD405	S1060 and One55/One65 Screw Down Kit		Core
DBG402	One55/One65 Slot Mount Adapter Angled Stand		Core
DBG403-W DBG403-B	One55/One65 Insight Hub Cable - White One55/One65 Insight Hub Cable - Black		Core Market Planning
DBG405	One55/One65/One60 Dib Cable		Core
DBG407-W	One65/One60 Insight Hub Cable 5.0M - White		Core
DBG408	One55/One65 Slot Mount Adapter Flat Stand		Core
ADH2180	OnePOD Sensor Adhesive Replacement	› 8 pack	
ADH2181	OnePOD Angled Stand Adhesive Replacement	› 8 pack	
ADH2186	OnePOD Flat Stand Adhesive Replacement	› 8 pack	
One65			
Stands			
DBD120-W DBD120-B	One65 Angled Standard Security Stand - White One65 Angled Standard Security Stand - Black		Core Market Planning
DBD126-W DBD126-B	One65 Flat Standard Security Stand - White One65 Flat Standard Security Stand - Black		Market Planning Market Planning
DBD121-W DBD121-B	One65 Angled Enhanced Security Stand - White One65 Angled Enhanced Security Stand - Black		Market Planning Market Planning
DBD127-W DBD127-B	One65 Flat Enhanced Security Stand - White One65 Flat Enhanced Security Stand - Black		Market Planning Market Planning

*Market Planning designates that parts will be available with validated opportunity and standard lead-time



PRODUCT ORDERING

ORDER CODE	DESCRIPTION	NOTES	INVENTORY STATUS
One65			
Sensors			
DBD200-W DBD200-B	One55/One65 Alarming Sensor - White One55/One65 Alarming Sensor - Black		Core Market Planning
DBD201-W DBD201-B	One65 Alarming Insight Sensor - White One65 Alarming Insight Sensor - Black		Core Market Planning
Power Connectors			
DBH500-W DBH500-B	One55/One65/One60 HH USB Micro Pwr Connector - White One55/One65/One60 HH USB Micro Pwr Connector - Black	› 4 pack	Core Market Planning
DBT500-W DBT500-B	One55/One65/One60 Tablet USB Micro Pwr Connector - White One55/One65/One60 Tablet USB Micro Pwr Connector - Black	› 4 pack	Core Market Planning
DBH501-W DBH501-B	One55/One65/One60 HH USB Type C Pwr Connector - White One55/One65/One60 HH USB Type C Pwr Connector - Black	› 4 pack	Core Market Planning
DBT501-W DBT501-B	One55/One65/One60 Tablet USB Type C Pwr Connector - White One55/One65/One60 Tablet USB Type C Pwr Connector - Black	› 4 pack	Core Market Planning
DBH502-W DBH502-B	One55/One65/One60 HH Lightning Pwr Connector - White One55/One65/One60 HH Lightning Pwr Connector - Black	› 4 pack	Core Market Planning
DBT502-W DBT502-B	One55/One65/One60 Tablet Lightning Pwr Connector - White One55/One65/One60 Tablet Lightning Pwr Connector - Black	› 4 pack	Core Market Planning
DBH507-W DBH507-B	One65/One60 HH USB Micro Insight Pwr Connector - White One65/One60 HH USB Micro Insight Pwr Connector - Black	› 4 pack	Core Market Planning
DBT507-W DBT507-B	One65/One60 Tablet USB Micro Insight Pwr Connector - White One65/One60 Tablet USB Micro Insight Pwr Connector - Black	› 4 pack	Core Market Planning
DBH508-W DBH508-B	One65/One60 HH USB Type C Insight Pwr Connector - White One65/One60 HH USB Type C Insight Pwr Connector - Black	› 4 pack	Core Market Planning
DBT508-W DBT508-B	One65/One60 Tablet USB Type C Insight Pwr Connector - White One65/One60 Tablet USB Type C Insight Pwr Connector - Black	› 4 pack	Core Market Planning
DBH509-W DBH509-B	One65/One60 HH Lightning Insight Pwr Connector - White One65/One60 HH Lightning Insight Pwr Connector - Black	› 4 pack	Core Market Planning
DBT509-W DBT509-B	One65/One60 Tablet Lightning Insight Pwr Connector - White One65/One60 Tablet Lightning Insight Pwr Connector - Black	› 4 pack	Core Market Planning

*Market Planning designates that parts will be available with validated opportunity and standard lead-time



PRODUCT ORDERING

ORDER CODE	DESCRIPTION	NOTES	INVENTORY STATUS
One65			
Brackets			
DBH282-W DBH282-B	One55/One65/One60 2 Arm Bracket Plate - White (Black HH brackets) One55/One65/One60 2 Arm Bracket Plate - Black (Black HH brackets)		Core Market Planning
DBT282-W DBT282-B	One55/One65/One60 2 Arm Bracket Plate - White (Black tablet brackets) One55/One65/One60 2 Arm Bracket Plate - Black (Black tablet brackets)		Core Market Planning
DBH284-W DBH284-B	One55/One65/One60 4 Arm Bracket Plate - White (Black HH brackets) One55/One65/One60 4 Arm Bracket Plate - Black (Black HH brackets)		Core Market Planning
DBT284-W DBT284-B	One55/One65/One60 4 Arm Bracket Plate - White (Black tablet brackets) One55/One65/One60 4 Arm Bracket Plate - Black (Black tablet brackets)		Core Market Planning
Accessories & Power Supply			
DBG400	One55/One65/One60 Magnetic Tool	› 4 pack	Core
DQD405	S1060 and One55/One65 Screw Down Kit		Core
DBG402	One55/One65 Slot Mount Adapter Angled Stand		Core
DBG403-W	One65/One60 Insight Hub Cable 2.5M - White		Core
DBG407-W	One65/One60 Insight Hub Cable 5.0M - White		Core
DBG405	One55/One65/One60 Dib Cable		Core
DBG408	One55/One65 Slot Mount Adapter Flat Stand		Core
ADH2180	OnePOD Sensor Adhesive Replacement	› 8 pack	
ADH2181	OnePOD Angled Stand Adhesive Replacement	› 8 pack	
ADH2186	OnePOD Flat Stand Adhesive Replacement	› 8 pack	
PS531	5V, 3A Power Supply		Core
PS535	USB PD Power Supply		Core

*Market Planning designates that parts will be available with validated opportunity and standard lead-time



PRODUCT ORDERING

ORDER CODE	DESCRIPTION	NOTES	INVENTORY STATUS
ONE60			
Stands			
DBD160-W DBD160-B	One60 Basic Angled Stand - White One60 Basic Angled Stand - Black		Core Market Planning
DBD166-W DBD166-B	One60 Basic Flat Stand - White One60 Basic Flat Stand - Black		Market Planning Market Planning
DBD162-W DBD162-B	One60 Premium Angled Stand - White One60 Premium Angled Stand - Black		Market Planning Market Planning
DBD168-W DBD168-B	One60 Premium Flat Stand - White One60 Premium Flat Stand- Black		Market Planning Market Planning
DBD600-W DBD600-B	One60 Angled Puck Basic - White One60 Angled Puck Basic - Black		BTO BTO
DBD601-W DBD601-B	One60 Flat Puck Basic - White One60 Flat Puck Basic - Black		BTO BTO
Sensors			
DBD210-W DBD210-B	One60 Alarming Sensor - White One60 Alarming Sensor - Black		Core Market Planning
DBD211-W DBD211-B	One60 Alarming Insight Sensor - White One60 Alarming Insight Sensor - Black		Core Market Planning
Stand/Sensor Kits			
DBD860-W DBD860-B	One60 Basic Angled Stand with Sensor - White One60 Basic Angled Stand with Sensor - Black		Core Market Planning
DBD866-W DBD866-B	One60 Basic Flat Stand with Sensor - White One60 Basic Flat Stand with Sensor - Black		Market Planning Market Planning
DBD862-W DBD862-B	One60 Premium Angled Stand with Sensor - White One60 Premium Angled Stand with Sensor - Black		Market Planning Market Planning
DBD868-W DBD868-B	One60 Premium Flat Stand with Sensor - White One60 Premium Flat Stand with Sensor - Black		Market Planning Market Planning
Power Connectors			
DBH500-W DBH500-B	One55/One65/One60 HH USB Micro Pwr Connector - White One55/One65/One60 HH USB Micro Pwr Connector - Black	> 4 pack	Core Market Planning
DBT500-W DBT500-B	One55/One65/One60 Tablet USB Micro Pwr Connector - White One55/One65/One60 Tablet USB Micro Pwr Connector - Black	> 4 pack	Core Market Planning
DBH501-W DBH501-B	One55/One65/One60 HH USB Type C Pwr Connector - White One55/One65/One60 HH USB Type C Pwr Connector - Black	> 4 pack	Core Market Planning
DBT501-W DBT501-B	One55/One65/One60 Tablet USB Type C Pwr Connector - White One55/One65/One60 Tablet USB Type C Pwr Connector - Black	> 4 pack	Core Market Planning

*Market Planning designates that parts will be available with validated opportunity and standard lead-time



PRODUCT ORDERING

ORDER CODE	DESCRIPTION	NOTES	INVENTORY STATUS
One60			
Power Connectors			
DBH502-W DBH502-B	One55/One65/One60 HH Lightning Pwr Connector - White One55/One65/One60 HH Lightning Pwr Connector - Black	› 4 pack	Core Market Planning
DBT502-W DBT502-B	One55/One65/One60 Tablet Lightning Pwr Connector - White One55/One65/One60 Tablet Lightning Pwr Connector - Black	› 4 pack	Core Market Planning
DBH507-W DBH507-B	One65/One60 HH USB Micro Insight Pwr Connector - White One65/One60 HH USB Micro Insight Pwr Connector - Black	› 4 pack	Core Market Planning
DBT507-W DBT507-B	One65/One60 Tablet USB Micro Insight Pwr Connector - White One65/One60 Tablet USB Micro Insight Pwr Connector - Black	› 4 pack	Core Market Planning
DBH508-W DBH508-B	One65/One60 HH USB Type C Insight Pwr Connector - White One65/One60 HH USB Type C Insight Pwr Connector - Black	› 4 pack	Core Market Planning
DBT508-W DBT508-B	One65/One60 Tablet USB Type C Insight Pwr Connector - White One65/One60 Tablet USB Type C Insight Pwr Connector - Black	› 4 pack	Core Market Planning
DBH509-W DBH509-B	One65/One60 HH Lightning Insight Pwr Connector - White One65/One60 HH Lightning Insight Pwr Connector - Black	› 4 pack	Core Market Planning
DBT509-W DBT509-B	One65/One60 Tablet Lightning Insight Pwr Connector - White One65/One60 Tablet Lightning Insight Pwr Connector - Black	› 4 pack	Core Market Planning
Brackets			
DBH284-W DBH284-B	One55/One65/One60 4 Arm Bracket Plate - White (Black HH brackets) One55/One65/One60 4 Arm Bracket Plate - Black (Black HH brackets)		Core Market Planning
DBT284-W DBT284-B	One55/One65/One60 4 Arm Bracket Plate - White (Black tablet brackets) One55/One65/One60 4 Arm Bracket Plate - Black (Black tablet brackets)		Core Market Planning
Accessories & Power Supply			
DBG400	One55/One65/One60 Magnetic Tool	› 4 pack	Core
DBG403-W DBG403-B	One55/One65 Insight Hub Cable - White One55/One65 Insight Hub Cable -Black		Core Market Planning
DBG405	One55/One65/One60 Dib Cable		Core
DBG407-W	One65/One60 Insight Hub Cable 5.0M - White		Core

*Market Planning designates that parts will be available with validated opportunity and standard lead-time



PRODUCT ORDERING

ORDER CODE	DESCRIPTION	NOTES	INVENTORY STATUS
One60			
<i>Accessories & Power Supply</i>			
DBG408	One55/One65 Slot Mount Adapter Flat Stand		Core
ADH2180	OnePOD Sensor Adhesive Replacement	> 8 pack	
ADH2181	OnePOD Angled Stand Adhesive Replacement	> 8 pack	
ADH2186	OnePOD Flat Stand Adhesive Replacement	> 8 pack	
PS535	USB PD Power Supply		Core
One90 & One90QR			
<i>Stands</i>			
DBD190-W DBD190-B	One90 Angled High Security Stand - White One90 Angled High Security Stand - Black		Core Market Planning
DBD191-W DBD191-B	One90 Angled Quick Release High Security Stand - White One90 Angled Quick Release High Security Stand - Black		Core Market Planning
DBD196-W DBD196-B	One90 Flat High Security Stand - White One90 Flat High Security Stand - Black		Core Market Planning
DBD197-W DBD197-B	One90 Flat Quick Release High Security Stand - White One90 Flat Quick Release High Security Stand - Black		Core Market Planning
<i>Brackets</i>			
DBH284-W DBH284-B	One55/One65/One60 4 Arm Bracket Plate - White (Black HH brackets) One55/One65/One60 4 Arm Bracket Plate - Black (Black HH brackets)		Core Market Planning
DBT284-W DBT284-B	One55/One65/One60 4 Arm Bracket Plate - White (Black tablet brackets) One55/One65/One60 4 Arm Bracket Plate - Black (Black tablet brackets)		Core Market Planning

*Market Planning designates that parts will be available with validated opportunity and standard lead-time

invue.com

©2018 InVue Security Products. No endorsement of InVue products has been made by any of the manufacturers of the products shown. Product is sold pursuant to InVue's warranty which can be found at www.invue.com/warranty.

THE AMERICAS 704.752.6513 • 888.55.INVUE

EUROPE, MIDDLE EAST & AFRICA +31.23.8900150

ASIA PACIFIC +852.3127.6811

